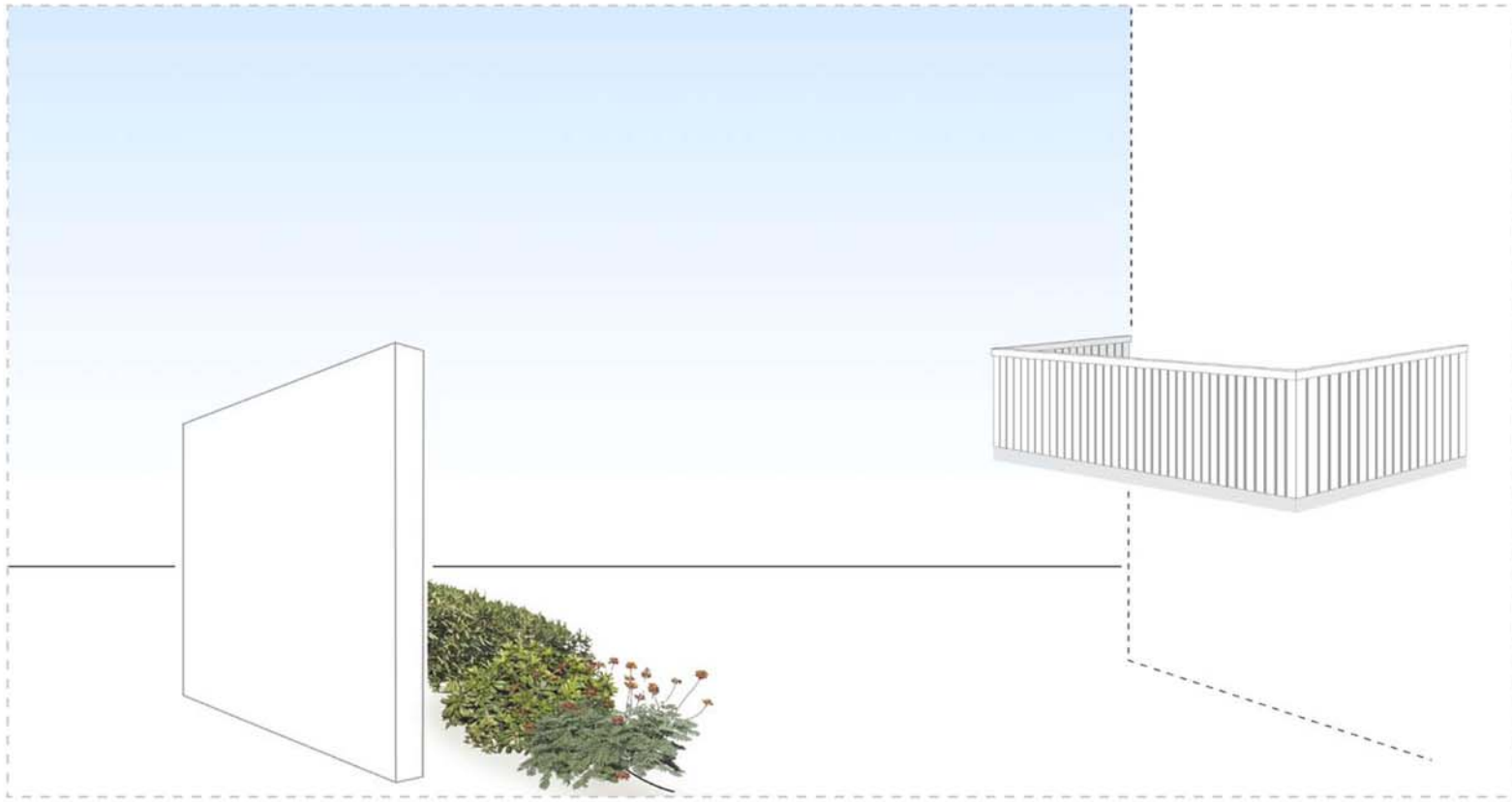


Residential Noise Solutions

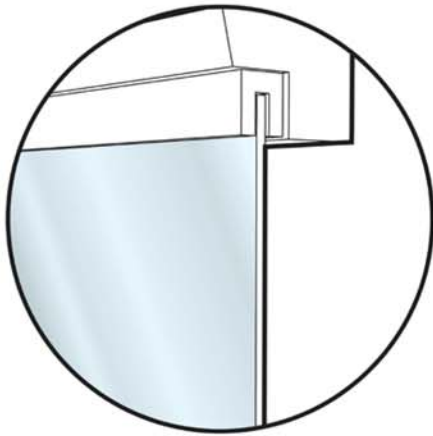
Options for residential treatments are dependent on the number of windows facing the noise source, the conditions of the windows, the potential screening provided by patios, and the potential for a wall on the property.

Noise Wall

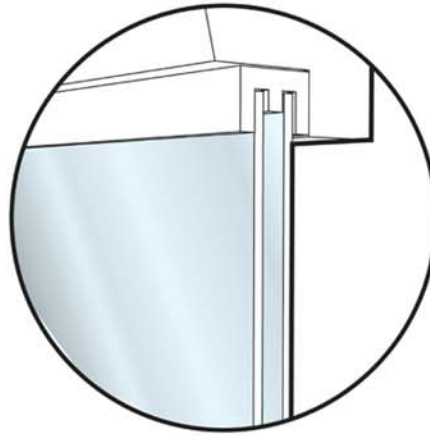


Noise Wall

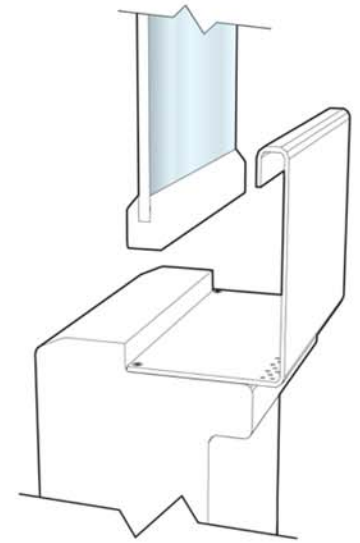
Windows



Existing Single Glazed Window



Upgraded to Double Glazed Window

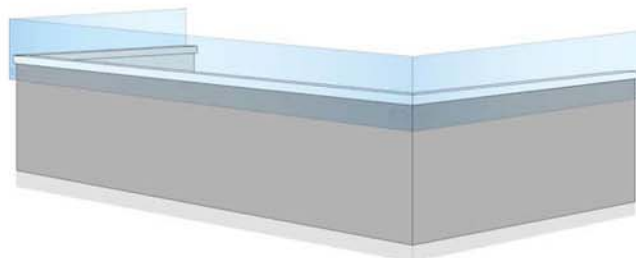


Upgraded to Include Baffle at Gaps

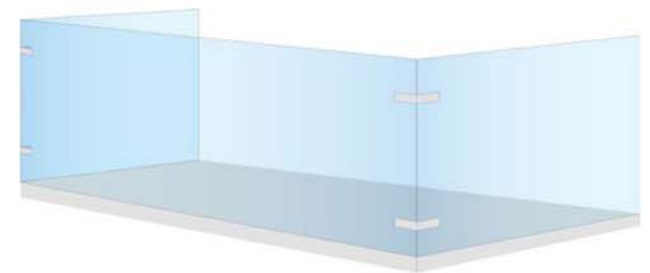
Balconies



Existing Deck with Opening in Handrail



Existing Deck Upgraded with Solid Wall Below a Raised Solid Glass Baffle



Upgraded to Solid Glass, with Taller Glass Handrail