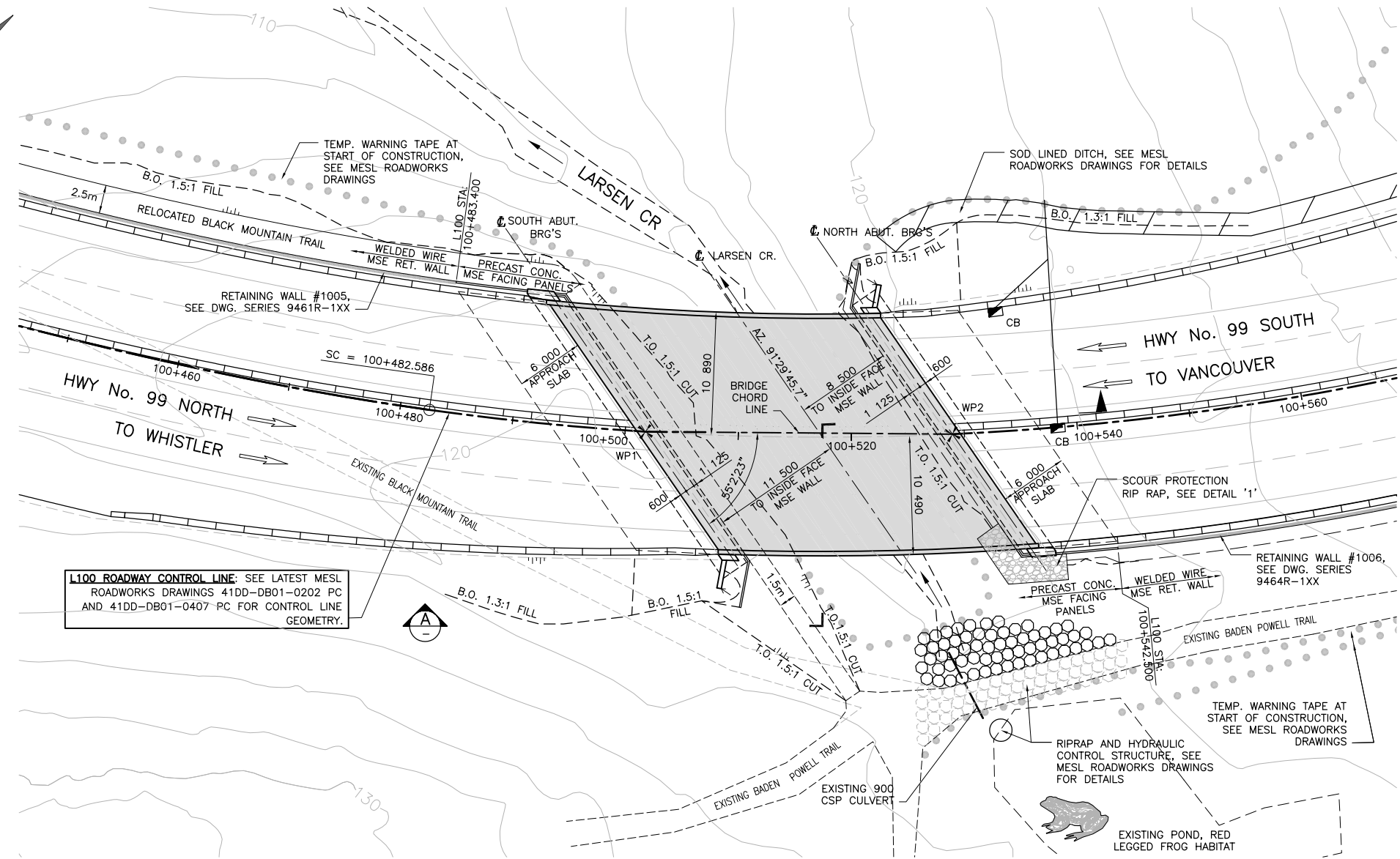
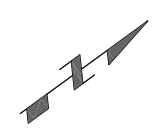
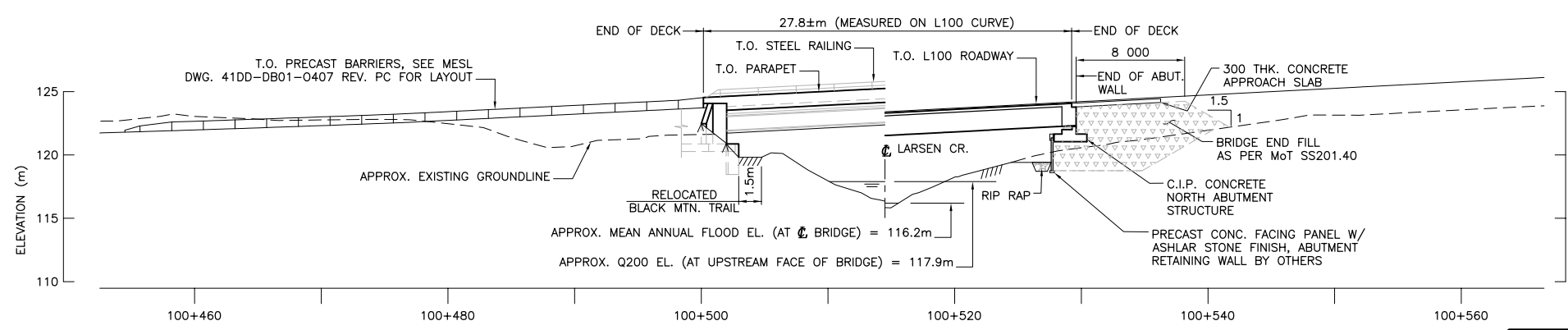

Appendix 3

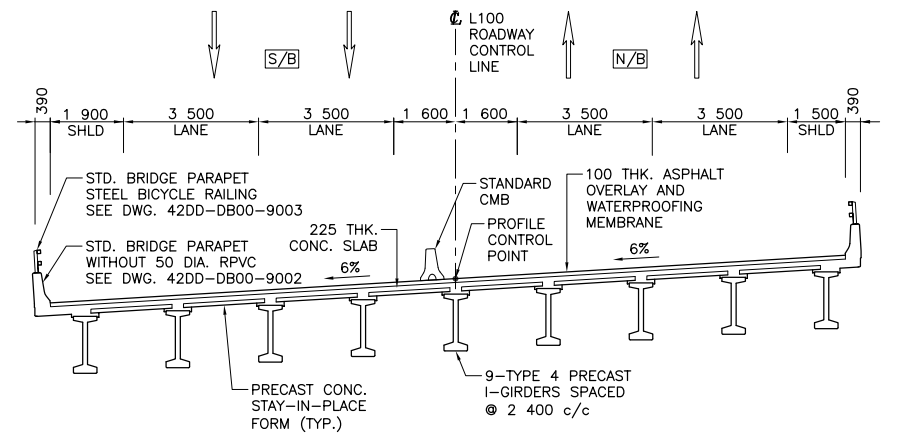
**Larsen Creek Bridge General
Arrangement Drawing #9465-102**



PLAN
SCALE: 1 : 250

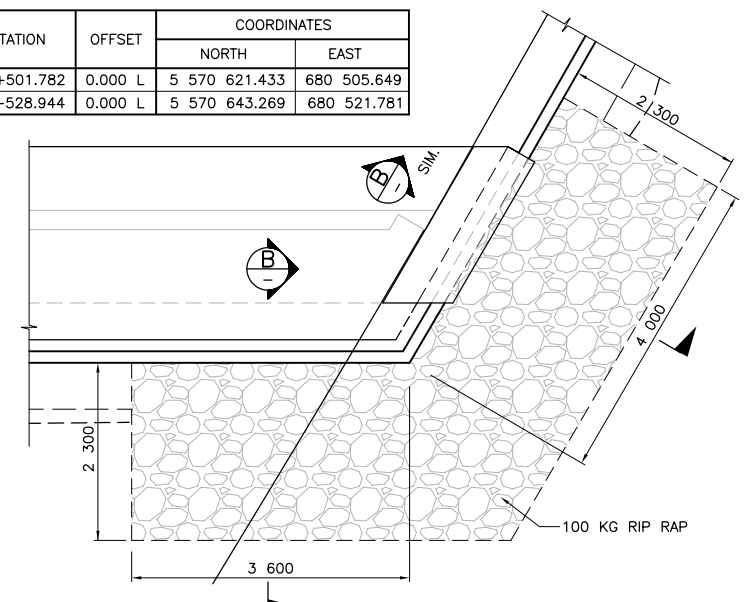


VIEW (A) BRIDGE ELEVATION
SCALE 1:250

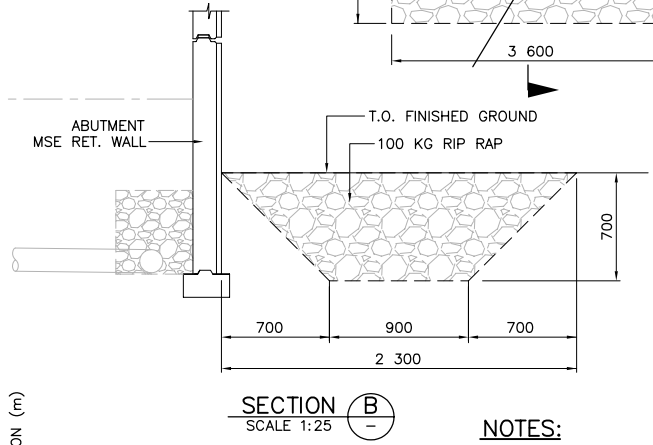


TYPICAL SECTION
SCALE: 1 : 100

WORK POINT	STATION	OFFSET	COORDINATES	
			NORTH	EAST
WP1	100+501.782	0.000 L	5 570 621.433	680 505.649
WP2	100+528.944	0.000 L	5 570 643.269	680 521.781



DETAIL (1)
SCALE 1:50
SCOUR PROTECTION RIP RAP

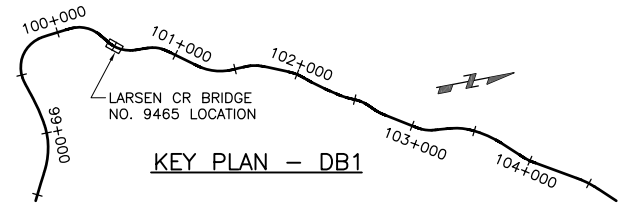


SECTION (B)
SCALE 1:25

- NOTES:**
- FOR GENERAL STRUCTURAL NOTES SEE DWG 42DD-DB00-9001
 - FOR GENERAL MSE WALL NOTES SEE DWG 42DD-DB00-9010
 - SEE ENVIRONMENTAL CONSTRUCTION DRAWINGS (MESL 46DD-DB01-09XX SERIES) FOR DELINEATION OF BIOPHYSICAL HABITAT, BLUE AND RED LISTED ECOSYSTEMS, AREAS OF CULTURAL AND HERITAGE SIGNIFICANCE, RECREATIONAL AREAS AND CLEAR AND GRUB BOUNDARIES

INFORMATION SHOWN ON THESE DRAWINGS REGARDING EXISTING UTILITIES IS COMPILED FROM SOME RECORD DRAWINGS AND SOME SURVEYS, AND MAY NOT BE COMPLETE OR FULLY ACCURATE. PRIOR TO CONSTRUCTION THE CONTRACTOR SHALL EXPOSE AND CONFIRM THE LOCATIONS AND ELEVATIONS OF ALL EXISTING UTILITIES AND ADVISE THE MINISTRY REPRESENTATIVE OF ANY POTENTIAL CONFLICTS.

THIS DRAWING AND DESIGN SHALL NOT BE USED, REUSED OR PRODUCED WITHOUT THE CONSENT OF ND LEA INC. ND LEA INC. WILL NOT BE HELD RESPONSIBLE FOR THE IMPROPER OR UNAUTHORIZED USE OF THIS DRAWING AND DESIGN.



KEY PLAN - DB1

DWG. No.	Description	Rev	Date	Description	Signature
		PD	20/01/06	90% SUBMISSION FOR MoT	KH
		PC	11/01/06	90% SUBMISSION FOR I.D.R.	KH
4100-DB01-407 PC	MESL: GEOMETRICS AND LANING	PB	04/10/05	50% SUBMISSION TO MoT	KH
4100-DB01-202 PC	MESL: PROFILE 100 LINE	PA	15/09/05	50% SUBMISSION FOR I.D.R.	KH

REFERENCE DRAWINGS

S2S TRANSPORTATION GROUP **Kiewit**

SCALE AS SHOWN

DESIGNED KH DATE JAN. 06
 CHECKED ZH DATE JAN. 06
 DRAWN SZ DATE JAN. 06
 APPROVED JJ DATE JAN. 06

MINISTRY OF TRANSPORTATION
SEA TO SKY HIGHWAY IMPROVEMENT PROJECT

HWY 99 - HORSESHOE BAY TO WHISTLER
DB1
LARSEN CREEK BRIDGE No. 9465
GENERAL ARRANGEMENT

Project Managers Hatch Mott MacDonald	Design Consultant NDLEA	PREPARED UNDER THE DIRECTION OF JIANPING JIANG SENIOR DESIGN ENGINEER DATE 20/01/06
FILE No. 220593-EN10-N	PROJECT No. 09901	REGION 1
DRAWING No. 9465-102		PD